

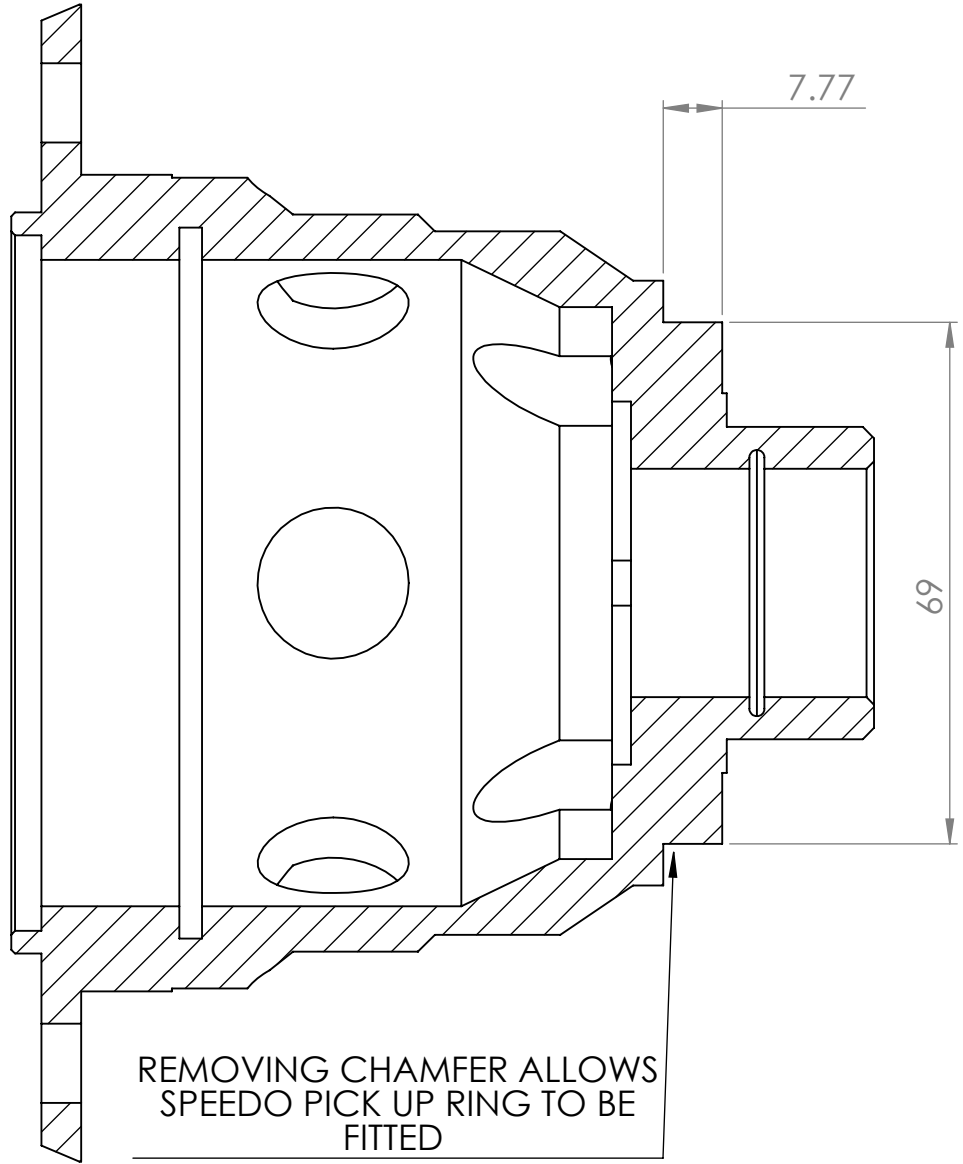


A

B

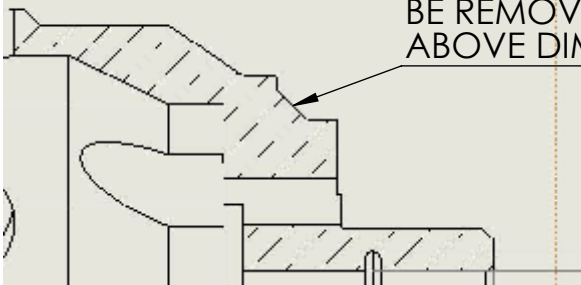
C

D



BEFORE MODIFICATION

CHAMFER NEEDS TO BE REMOVED AS PER ABOVE DIMS



E

F

REVISION
MATERIAL:
DATE
DRAWN

DO NOT SCALE DRAWING

DRAWING TITLE: BMW SPEEDO MOD

DRAWING STAGE

DWG NO. BMW SPEEDO MOD

A4

WEIGHT:

SCALE: 1: 5

SHEET 1 OF 1